



衡水凯越刹车片有限公司  
HengShui KaiYue Brake Pads CO.,LTD



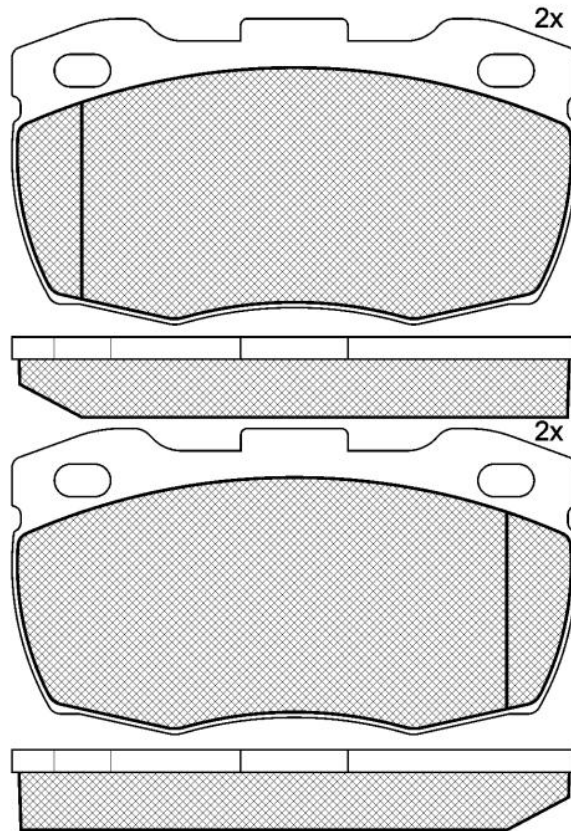
0086+18606084868  
0086+13191696556



hsbrakes01@163.com  
1011394293@qq.com

**KY41089J**

No. of Pieces: 4



**Brake pad set**

**Front**

**126.5x68.6x18**

**Brand OE Reference**

LAND ROVER: STC-5574

**Maker Cross reference**

B.M.: DB1305  
FMSI: D671-7552  
GIRLING: 6114526  
MINTEX: MLB114  
ROAD HOUSE: 2266.10  
TEXTAR: 21519 180 0 4  
TRW: GDB1452  
TRW: GDB7591  
WVA: 21519

**Vehicles**

**DODGE**

D200 () Pickup 01/1990-

Vehicle	Engine	Fuel	Date	CC	KW	CV	Traction
2		1	01/1990-	1995			1
2.5		1	01/1990-	2495			1

**LAND ROVER**

DEFENDER (L316) Closed Off-Road Vehicle 08/1990-02/2016

Vehicle	Engine	Fuel	Date	CC	KW	CV	Traction
2.5 4x4	17 H	1	09/1990-12/1994	2495	61	83	3



2.8	M52 B28	1	11/1998-09/2003	2793	140	190	1
3.5 4x4	11 D	1	09/1990-08/1993	3528	86	117	3
3.5 4x4	15G	1	09/1990-07/1994	3528	100	136	3
	21 G						
3.5 4x4	22 D	1	09/1990-12/1998	3532	100	136	3
3.9	37 L	1	01/1993-09/2000	3947	134	182	1
3.9 V8 4x4 (L316)	37 L	1	11/1998-02/2016	3947	136	185	3
2.2 Td4 4x4 (L317)	DT244	2	08/2011-02/2016	2198	90	122	3
	ZSD-422						
2.2 Td4 4x4 (L317)		2	02/2015-02/2016	2198	110	150	3
2.4 Td4 4x4		2	07/2007-02/2016	2402	103	140	3
2.4 Td4 4x4 (L316)	244DT	2	05/2007-02/2016	2402	90	122	3
2.5 D 4x4 (L316)	12 J	2	09/1990-09/2001	2495	51	69	3
2.5 Td5 4x4 (L316)	10 P	2	06/1998-02/2016	2495	90	122	3
	14 P						
	15 P						
2.5 TDI 4x4 (L316)	11 L	2	08/1990-12/1998	2495	83	113	3
	16 L						
	23 L						
DEFENDER (L316) Open Off-Road Vehicle 08/1990-02/2016							
Vehicle	Engine	Fuel	Date	CC	KW	CV	Traction
3.5 4x4	21 G	1	09/1990-08/1993	3528	86	117	3
3.5 4x4		1	09/1990-12/1998	3531	100	136	3
3.9	37 L	1	04/1998-09/2000	3947	134	182	1
2.2 Td4 4x4 (L317)	DT244	2	08/2011-02/2016	2198	90	122	3
	ZSD-422						
2.4 Td4 4x4 (L317)	244DT	2	05/2007-02/2016	2402	90	122	3
2.5 D 4x4 (L316)	12 J	2	09/1990-09/2001	2495	51	69	3
2.5 Td5 4x4 (L316)	10 P	2	06/1998-02/2016	2495	90	122	3
	14 P						



衡水凯越刹车片有限公司  
HengShui KaiYue Brake Pads CO.,LTD



0086+18606084868  
0086+13191696556



hsbrakes01@163.com  
1011394293@qq.com

	15 P						
2.5 TDI 4x4 (L316)	11 L	2	08/1990-12/2001	2495	83	113	3
	16 L						
	23 L						
DEFENDER (L316) Pickup 10/1995-02/2016							
<b>Vehicle</b>	<b>Engine</b>	<b>Fuel</b>	<b>Date</b>	<b>CC</b>	<b>KW</b>	<b>CV</b>	<b>Traction</b>
2.8	M52 B28	1	11/1998-09/2003	2793	140	190	1
3.9	37 L	1	04/1998-09/2000	3947	134	182	1
2.2 Td4 4x4 (L317)	DT244	2	08/2011-02/2016	2198	90	122	3
	ZSD-422						
2.4 Td4 4x4 (L317)	244DT	2	05/2007-02/2016	2402	90	122	3
2.5 Td5 4x4 (L316)	10 P	2	06/1998-02/2016	2495	90	122	3
DEFENDER (L316) Platform/Chassis 09/1990-02/2016							
<b>Vehicle</b>	<b>Engine</b>	<b>Fuel</b>	<b>Date</b>	<b>CC</b>	<b>KW</b>	<b>CV</b>	<b>Traction</b>
2.2 Td4 4x4 (L317)	DT244	2	08/2011-02/2016	2198	90	122	3
	ZSD-422						
2.4 TD4		2	01/2007-	2402	90	122	2